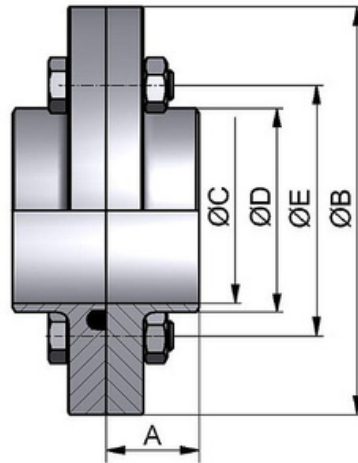


DN	A	B	C	D	E	Article	304
1"	19.0	87.0	22.3	28.0	73.0	146011001200	146011003200
1½"	24.0	97.0	35.1	41.0	82.5	146011121200	146011123200
2"	24.0	110.0	47.8	54.0	95.5	146012001200	146012003200
2½"	24.0	127.0	60.5	68.0	112.5	146012121200	146012123200
3"	30.0	142.0	72.8	78.0	127.5	146013001200	146013003200
4"	29.0	162.0	97.6	104.0	147.5	146014001200	146014003200



Article properties

According to	EN 10088-3 - 2005 (previously DIN 01013)
Field of application	Chemistry & General industry
Maximum pressure of 140°C when right gasket is used	1"- 4"
Material According to EN 10088-1	304 / 1.4301 and 316L / 1.4404
Finishing general	Unfinished Ra 25µm
Certification	EN10204/3.1 Certificate