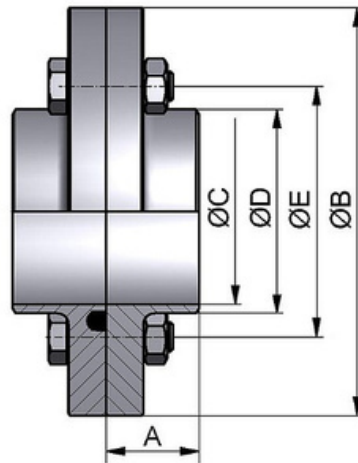


DN	A	B	C	D	E	Article	304
DN20	20.0	75.0	20.0	13.0	59.0	145000201200	145000203200
DN25	20.0	87.0	26.0	29.0	73.0	145000251200	145000253200
DN32	20.0	92.0	32.0	35.0	78.0	145000321200	145000323200
DN40	25.0	97.0	38.0	41.0	82.5	145000401200	145000403200
DN50	25.0	110.0	50.0	53.0	95.5	145000501200	145000503200
DN65	25.0	127.0	66.0	70.0	112.5	145000651200	145000653200
DN80	30.0	142.0	81.0	85.0	127.5	145000801200	145000803200
DN100	30.0	162.0	100.0	104.0	147.5	145001001200	145001003200
DN125	40.0	200.0	125.0	129.0	180.0	145001251200	145001253200
DN150	45.0	230.0	150.0	154.0	210.0	145001501200	145001503200



### Article properties

According to	EN 10088-3 - 2005 (previously DIN 01013)
Field of application	Chemistry & General industry
Maximum pressure of 140°C when right gasket is used	DN15 - DN150
Material According to EN 10088-1	304 / 1.4301 and 316L / 1.4404
Finishing general	Unfinished Ra 25µm
Certification	EN10204/3.1 Certificate