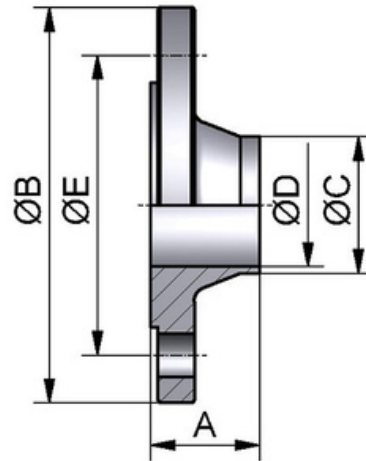


DN	A	B	C	D	E	Article	304
DN10	35.0	90.0	13.0	10.0	60.0	147200101040	147200103040
DN15	38.0	95.0	19.0	16.0	65.0	147200151040	147200153040
DN20	40.0	105.0	23.0	20.0	75.0	147200201040	147200203040
DN25	40.0	115.0	29.0	26.0	85.0	147200251040	147200253040
DN32	42.0	140.0	35.0	32.0	100.0	147200321040	147200323040
DN40	45.0	150.0	41.0	38.0	110.0	147200401040	147200403040
DN50	45.0	165.0	53.0	50.0	125.0	147200501016	147200503016
DN65	45.0	185.0	70.0	66.0	145.0	147200651016	147200653016
DN80	50.0	200.0	85.0	81.0	160.0	147200801016	147200803016
DN100	52.0	220.0	104.0	100.0	180.0	147201001016	147201003016
DN125	55.0	250.0	129.0	125.0	210.0	147201251016	147201253016
DN150	55.0	285.0	154.0	150.0	240.0	147201501016	147201503016
DN200	62.0	340.0	204.0	200.0	295.0	147202001016	147202003016



Article properties

According to	EN 1092-1 Type 11 (previously DIN 2633)
Field of application	Chemistry & General industry
Maximum pressure of 140°C when right gasket is used	PN6 / PN10 / PN16 / PN25 / PN40
Material According to EN 10088-1	304 / 1.4301 and 316L / 1.4404
Finishing general	Unfinished Ra 25µm
Certification	EN10204/3.1 Certificate