

Stainless steel levelling feet in various designs. Fully stainless steel or with polyamide footplate. Also in hygienic variant 3A. Essential in environments where hygiene is a top priority, such as in the pharmaceutical, chemical and food industries.

DN	A	B	C	D	E	Article 304
M16x175	221	175	M16	33	100	7111617510021
M10x50	85	50	M10	27	60	7111005006021
M10x75	110	75	M10	27	60	7111007506021
M10x100	135	100	M10	27	60	7111010006021
M10x125	160	125	M10	27	60	7111012506021
M10x150	190	150	M10	27	60	7111015006021
M10x175	215	175	M10	27	60	7111017506021
M10x200	240	200	M10	27	60	7111020006021
M12x50	85	50	M12	27	60	7111205006021
M12x75	110	75	M12	27	60	7111207506021
M12x100	135	100	M12	27	60	7111210006021
M12x125	160	125	M12	27	60	7111212506021
M12x150	190	150	M12	27	60	7111215006021
M12x175	215	175	M12	27	60	7111217506021
M12x200	240	200	M12	27	60	7111220006021
M14x75	110	75	M14	27	60	7111407506021
M14x100	135	100	M14	27	60	7111410006021
M14x125	160	125	M14	27	60	7111412506021
M14x150	185	150	M14	27	60	7111415006021
M14x175	210	175	M14	27	60	7111417506021
M16x75	115	75	M16	27	60	7111607506021
M16x100	140	100	M16	27	60	7111610006021
M16x125	165	125	M16	27	60	7111612506021
M16x150	190	150	M16	27	60	7111615006021
M16x175	215	175	M16	27	60	7111617506021
M16x200	240	200	M16	27	60	7111620006021
M20x75	115	75	M20	27	60	7112007506021
M20x100	140	100	M20	27	60	7112010006021
M10x50	85	50	M10	27	60	7111005006031
M10x50	87	50	M10	30	80	7111005008021
M10x50	87	50	M10	30	80	7111005008031
M10x75	110	75	M10	27	60	7111007506031
M10x75	112	75	M10	30	80	7111007508021
M10x75	112	75	M10	30	80	7111007508031
M10x100	135	100	M10	27	60	7111010006031
M10x100	137	100	M10	30	80	7111010008021
M10x100	137	100	M10	30	80	7111010008031
M10x125	160	125	M10	27	60	7111012506031
M10x125	162	125	M10	30	80	7111012508021

DN	A	B	C	D	E	Article 304
M10x125	162	125	M10	30	80	7111012508031
M10x150	190	150	M10	27	60	7111015006031
M10x150	192	150	M10	30	80	7111015008021
M10x175	215	175	M10	27	60	7111017506031
M10x175	217	175	M10	30	80	7111017508021
M10x200	240	200	M10	27	60	7111020006031
M10x200	242	200	M10	30	80	7111020008021
M12x50	85	50	M12	27	60	7111205006031
M12x50	87	50	M12	30	80	7111205008021
M12x50	87	50	M12	30	80	7111205008031
M12x75	110	75	M12	27	60	7111207506031
M12x75	112	75	M12	30	80	7111207508021
M12x75	112	75	M12	30	80	7111207508031
M12x100	135	100	M12	27	60	7111210006031
M12x100	137	100	M12	30	80	7111210008021
M12x100	137	100	M12	30	80	7111210008031
M12x125	160	125	M12	27	60	7111212506031
M12x125	162	125	M12	30	80	7111212508021
M12x125	162	125	M12	30	80	7111212508031
M12x150	190	150	M12	27	60	7111215006031
M12x150	192	150	M12	30	80	7111215008021
M12x175	215	175	M12	27	60	7111217506031
M12x175	217	175	M12	30	80	7111217508021
M12x200	240	200	M12	27	60	7111220006031
M12x200	242	200	M12	30	80	7111220008021
M14x75	110	75	M14	27	60	7111407506031
M14x75	112	75	M14	30	80	7111407508021
M14x75	112	75	M14	30	80	7111407508031
M14x100	135	100	M14	27	60	7111410006031
M14x100	137	100	M14	30	80	7111410008021
M14x100	137	100	M14	30	80	7111410008031
M14x125	160	125	M14	27	60	7111412506031
M14x125	162	125	M14	30	80	7111412508021
M14x125	162	125	M14	30	80	7111412508031
M14x150	185	150	M14	27	60	7111415006031
M14x150	187	150	M14	30	80	7111415008021
M14x150	187	150	M14	30	80	7111415008031
M14x175	210	175	M14	27	60	7111417506031
M14x175	212	175	M14	30	80	7111417508021
M16x75	115	75	M16	27	60	7111607506031
M16x75	117	75	M16	30	80	7111607508021

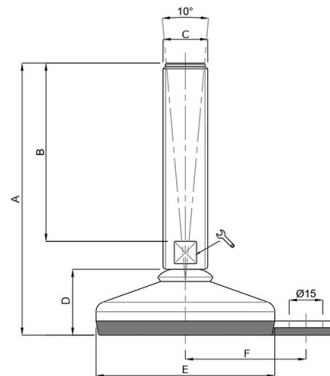
DN	A	B	C	D	E	Article 304
M16x100	140	100	M16	27	60	7111610006031
M16x100	142	100	M16	30	80	7111610008021
M16x125	165	125	M16	27	60	7111612506031
M16x125	167	125	M16	30	80	7111612508021
M16x150	190	150	M16	27	60	7111615006031
M16x150	192	150	M16	30	80	7111615008021
M16x175	215	175	M16	27	60	7111617506031
M16x175	217	175	M16	30	80	7111617508021
M16x200	240	200	M16	27	60	7111620006031
M16x200	242	200	M16	30	80	7111620008021
M20x75	115	75	M20	27	60	7112007506031
M20x75	117	75	M20	30	80	7112007508021
M20x100	140	100	M20	27	60	7112010006031
M20x100	142	100	M20	30	80	7112010008021
M20x125	165	125	M20	27	60	7112012506021
M20x125	165	125	M20	27	60	7112012506031
M20x125	167	125	M20	30	80	7112012508021
M20x150	190	150	M20	27	60	7112015006021
M20x150	190	150	M20	27	60	7112015006031
M20x150	192	150	M20	30	80	7112015008021
M20x175	215	175	M20	27	60	7112017506021
M20x175	215	175	M20	27	60	7112017506031
M20x175	217	175	M20	30	80	7112017508021
M20x200	240	200	M20	27	60	7112020006021
M20x200	240	200	M20	27	60	7112020006031
M20x200	242	200	M20	30	80	7112020008021
M20x225	265	225	M20	27	60	7112022506021
M20x225	265	225	M20	27	60	7112022506031
M20x225	267	225	M20	30	80	7112022508021
M20x250	290	250	M20	27	60	7112025006021
M20x250	290	250	M20	27	60	7112025006031
M20x250	292	250	M20	30	80	7112025008021
M24x75	117	75	M24	30	80	7112407508021
M24x100	142	100	M24	30	80	7112410008021
M24x125	167	125	M24	30	80	7112412508021
M24x150	192	150	M24	30	80	7112415008021
M24x175	217	175	M24	30	80	7112417508021
M24x200	242	200	M24	30	80	7112420008021
M24x225	267	225	M24	30	80	7112422508021
M24x250	292	250	M24	30	80	7112425008021
M10x150	192	150	M10	30	80	7111015008031

DN	A	B	C	D	E	Article 304
M10x175	217	175	M10	30	80	7111017508031
M10x200	242	200	M10	30	80	7111020008031
M12x150	192	150	M12	30	80	7111215008031
M12x175	217	175	M12	30	80	7111217508031
M12x200	242	200	M12	30	80	7111220008031
M14x175	212	175	M14	30	80	7111417508031
M16x75	117	75	M16	30	80	7111607508031
M16x100	142	100	M16	30	80	7111610008031
M16x125	167	125	M16	30	80	7111612508031
M16x150	192	150	M16	30	80	7111615008031
M16x175	217	175	M16	30	80	7111617508031
M16x200	242	200	M16	30	80	7111620008031
M20x75	117	75	M20	30	80	7112007508031
M20x100	142	100	M20	30	80	7112010008031
M20x125	167	125	M20	30	80	7112012508031
M16x75	121	75	M16	33	100	7111607510021
M16x75	121	75	M16	33	100	7111607510031
M16x75	124	75	M16	36	120	7111607512021
M16x100	146	100	M16	33	100	7111610010021
M16x100	146	100	M16	33	100	7111610010031
M16x100	149	100	M16	36	120	7111610012021
M16x125	171	125	M16	33	100	7111612510021
M16x125	171	125	M16	33	100	7111612510031
M16x125	174	125	M16	36	120	7111612512021
M16x150	196	150	M16	33	100	7111615010021
M16x150	196	150	M16	33	100	7111615010031
M16x150	199	150	M16	36	120	7111615012021
M16x175	221	175	M16	33	100	7111617510031
M16x175	224	175	M16	36	120	7111617512021
M16x200	246	200	M16	33	100	7111620010021
M16x200	246	200	M16	33	100	7111620010031
M16x200	249	200	M16	36	120	7111620012021
M20x75	121	75	M20	33	100	7112007510021
M20x75	121	75	M20	33	100	7112007510031
M20x75	124	75	M20	36	120	7112007512021
M20x100	146	100	M20	33	100	7112010010021
M20x100	146	100	M20	33	100	7112010010031
M20x100	149	100	M20	36	120	7112010012021
M20x125	171	125	M20	33	100	7112012510021
M20x125	171	125	M20	33	100	7112012510031
M20x125	174	125	M20	36	120	7112012512021

DN	A	B	C	D	E	Article 304
M20x150	192	150	M20	30	80	7112015008031
M20x150	196	150	M20	33	100	7112015010021
M20x150	196	150	M20	33	100	7112015010031
M20x150	199	150	M20	36	120	7112015012021
M20x175	217	175	M20	30	80	7112017508031
M20x175	221	175	M20	33	100	7112017510021
M20x175	221	175	M20	33	100	7112017510031
M20x175	224	175	M20	36	120	7112017512021
M20x200	242	200	M20	30	80	7112020008031
M20x200	246	200	M20	33	100	7112020010021
M20x200	246	200	M20	33	100	7112020010031
M20x200	249	200	M20	36	120	7112020012021
M20x225	267	225	M20	30	80	7112022508031
M20x225	271	225	M20	33	100	7112022510021
M20x225	271	225	M20	33	100	7112022510031
M20x225	274	225	M20	36	120	7112022512021
M20x250	292	250	M20	30	80	7112025008031
M20x250	296	250	M20	33	100	7112025010021
M20x250	296	250	M20	33	100	7112025010031
M20x250	299	250	M20	36	120	7112025012021
M24x75	117	75	M24	30	80	7112407508031
M24x100	142	100	M24	30	80	7112410008031
M24x100	248	100	M24	33	100	7112410010021
M24x100	248	100	M24	33	100	7112410010031
M24x100	151	100	M24	36	120	7112410012021
M24x125	167	125	M24	30	80	7112412508031
M24x125	173	125	M24	33	100	7112412510021
M24x125	173	125	M24	33	100	7112412510031
M24x125	176	125	M24	36	120	7112412512021
M24x150	192	150	M24	30	80	7112415008031
M24x150	198	150	M24	33	100	7112415010021
M24x150	198	150	M24	33	100	7112415010031
M24x150	201	150	M24	36	120	7112415012021
M24x175	217	175	M24	30	80	7112417508031
M24x175	223	175	M24	33	100	7112417510021
M24x175	223	175	M24	33	100	7112417510031
M24x175	226	175	M24	36	120	7112417512021
M24x200	242	200	M24	30	80	7112420008031
M24x200	248	200	M24	33	100	7112420010021
M24x200	248	200	M24	33	100	7112420010031
M24x200	251	200	M24	36	120	7112420012021

DN	A	B	C	D	E	Article 304
M24x225	267	225	M24	30	80	7112422508031
M24x225	273	225	M24	33	100	7112422510021
M24x225	273	225	M24	33	100	7112422510031
M24x225	276	225	M24	36	120	7112422512021
M24x250	292	250	M24	30	80	7112425008031
M24x250	298	250	M24	33	100	7112425010021
M24x250	298	250	M24	33	100	7112425010031
M24x250	301	250	M24	36	120	7112425012021
M30x100	148	100	M30	33	100	7113010010021
M30x100	148	100	M30	33	100	7113010010031
M30x100	151	100	M30	36	120	7113010012021
M30x125	173	125	M30	33	100	7113012510021
M30x125	173	125	M30	33	100	7113012510031
M30x125	176	125	M30	36	120	7113012512021
M30x150	198	150	M30	33	100	7113015010021
M30x150	198	150	M30	33	100	7113015010031
M30x150	201	150	M30	36	120	7113015012021
M30x175	223	175	M30	33	100	7113017510021
M30x175	223	175	M30	33	100	7113017510031
M30x175	226	175	M30	36	120	7113017512021
M30x200	248	200	M30	33	100	7113020010021
M30x200	248	200	M30	33	100	7113020010031
M30x200	251	200	M30	36	120	7113020012021
M30x225	273	225	M30	33	100	7113022510021
M30x225	273	225	M30	33	100	7113022510031
M30x225	276	225	M30	36	120	7113022512021
M30x250	298	250	M30	33	100	7113025010021
M30x250	301	250	M30	36	120	7113025012021
M30x250	298	250	M30	33	100	7113025010031
M16x75	124	75	M16	36	120	7111607512031
M16x100	149	100	M16	36	120	7111610012031
M16x125	174	125	M16	36	120	7111612512031
M16x150	199	150	M16	36	120	7111615012031
M16x175	224	175	M16	36	120	7111617512031
M16x200	249	200	M16	36	120	7111620012031
M20x75	124	75	M20	36	120	7112007512031
M20x100	149	100	M20	36	120	7112010012031
M20x125	174	125	M20	36	120	7112012512031
M20x150	199	150	M20	36	120	7112015012031
M20x175	224	175	M20	36	120	7112017512031
M20x200	249	200	M20	36	120	7112020012031

DN	A	B	C	D	E	Article 304
M20x225	274	225	M20	36	120	7112022512031
M20x250	299	250	M20	36	120	7112025012031
M24x100	151	100	M24	36	120	7112410012031
M24x125	176	125	M24	36	120	7112412512031
M24x150	201	150	M24	36	120	7112415012031
M24x175	226	175	M24	36	120	7112417512031
M24x200	251	200	M24	36	120	7112420012031
M24x225	276	225	M24	36	120	7112422512031
M24x250	301	250	M24	36	120	7112425012031
M30x100	151	100	M30	36	120	7113010012031
M30x125	176	125	M30	36	120	7113012512031
M30x150	201	150	M30	36	120	7113015012031
M30x175	226	175	M30	36	120	7113017512031
M30x200	251	200	M30	36	120	7113020012031
M30x225	276	225	M30	36	120	7113022512031
M30x250	301	250	M30	36	120	7113025012031



Article properties

Type	Levelling Feet with Fixing lip
Field of application	Food processing, Chemical, Pharmaceutical Industry
Material thread	1.4301 (304)
Material base	1.4301 (304) with EPDM or NBR