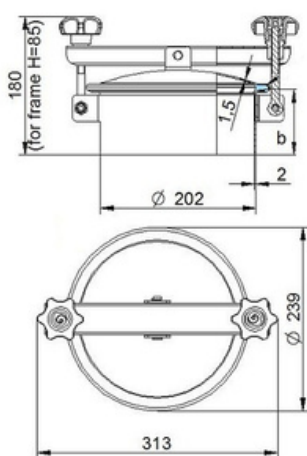
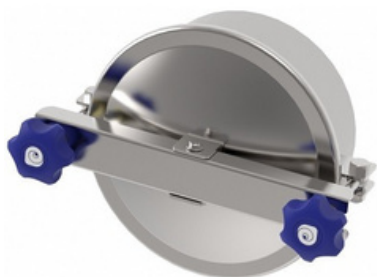


Article properties



| | |
|-------------|--|
| Article | 9402.N/230/2VB |
| Description | Zorzini Round Inspection Cover N/230/2V Cover opening outwards Material: 1.4404 (316L) Pressure range: +0,5 bar Outside Neck diameter: $\varnothing 202$ mm Tolerance ISO2768 cL: ± 1.2 mm Welding Neck height: 85mm Welding Neck thickness: 2,0mm Cover thickness: 1,5mm 2x Plastic Handwheel MEC/60 EPDM gasket (FDA) G/T200 Finish Neck: Grinded/Pickled Finish Cover: Electropolished N/230/2V/B (Neck 85x2) 316 |
| Name | N/230/2V |
| Type | DN200 |
| DN | 202 |
| A | 85 |
| B | 2 |
| C | 1,5 |
| D | 0,5 bar |
| E | |

Zorzini Round Inspection Cover N/230/2V Cover opening outwards Material: 1.4404 (316L) Pressure range: +0,5 bar Outside Neck diameter: $\varnothing 202$ mm Tolerance ISO2768 cL: ± 1.2 mm Welding Neck height: 85mm Welding Neck thickness: 2,0mm Cover thickness: 1,5mm 2x Plastic Handwheel MEC/60 EPDM gasket (FDA) G/T200 Finish Neck: Grinded/Pickled Finish Cover: Electropolished