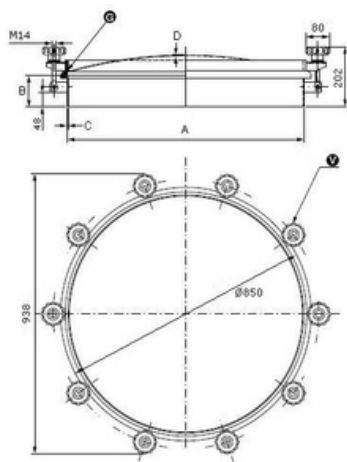


Article properties



Article	9402.10V800 Round Manhole Cover 10V/800 Cover
Description	opening outwards Material: 1.4307 (304L) Pressure range: +0,2 bar Outside Neck diameter: Ø805mm Tolerance ISO2768 cL: ±2.0mm Welding Neck height: 105mm Welding Neck thickness: 3,0mm Cover thickness: 3,0mm 10x Plastic Handwheel MEC/80 EPDM gasket (FDA) G/800 Finish Neck: Grinded/Pickled Finish Cover: Electropolished
Name	10V/800 (Neck 105x3) 304
Type	10V/800
DN	DN800
A	805
B	105
C	3
D	3
E	0,2 bar

Round Manhole Cover 10V/800 Cover opening outwards Material: 1.4307 (304L) Pressure range: +0,2 bar Outside Neck diameter: Ø805mm Tolerance ISO2768 cL: ±2.0mm Welding Neck height: 105mm Welding Neck thickness: 3,0mm Cover thickness: 3,0mm 10x Plastic Handwheel MEC/80 EPDM gasket (FDA) G/800 Finish Neck: Grinded/Pickled Finish Cover: Electropolished