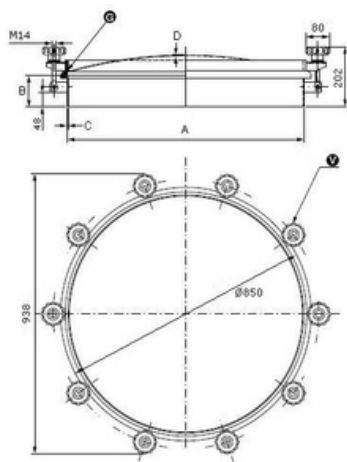


Article properties



Article	9402.10V800B Round Manhole Cover 10V/800/B
Description	Cover opening outwards Material: 1.4404 (316L) Pressure range: +0,2 bar Outside Neck diameter: Ø805mm Tolerance ISO2768 cL: ±2.0mm Welding Neck height: 105mm Welding Neck thickness: 3,0mm Cover thickness: 3,0mm 10x Plastic Handwheel MEC/80 EPDM gasket (FDA) G/800 Finish Neck: Grinded/Pickled Finish Cover: Electropolished 10V/800 (Neck 105x3) 316
Name	10V/800
Type	DN800
DN	805
A	105
B	3
C	3
D	0,2 bar
E	

Round Manhole Cover 10V/800/B Cover opening outwards Material: 1.4404 (316L) Pressure range: +0,2 bar Outside Neck diameter: Ø805mm Tolerance ISO2768 cL: ±2.0mm Welding Neck height: 105mm Welding Neck thickness: 3,0mm Cover thickness: 3,0mm 10x Plastic Handwheel MEC/80 EPDM gasket (FDA) G/800 Finish Neck: Grinded/Pickled Finish Cover: Electropolished