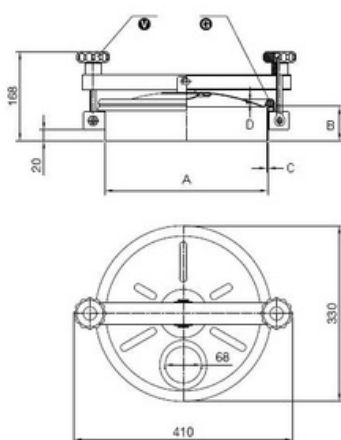


Article properties



Article	9402.215
Description	Round Inspection Cover 215 Cover opening outwards Material: 1.4307 (304L) Pressure range: +0,2 bar Outside Neck diameter: Ø306mm Tolerance ISO2768 cL: ±1.2mm Welding Neck height: 65mm Welding Neck thickness: 2,0mm Cover thickness: 1,2mm 2x Plastic Handwheel MEC/60 EPDM gasket (FDA) GTR300 Finish Neck: Grinded/Pickled Finish Cover: Electropolished
Name	215 (Neck 65x2) 304
Name	215
Type	DN300
DN	306
A	65
B	2
C	1,2
D	0,2 bar
E	

Round Inspection Cover 215 Cover opening outwards Material: 1.4307 (304L) Pressure range: +0,2 bar Outside Neck diameter: Ø306mm Tolerance ISO2768 cL: ±1.2mm Welding Neck height: 65mm Welding Neck thickness: 2,0mm Cover thickness: 1,2mm 2x Plastic Handwheel MEC/60 EPDM gasket (FDA) GTR300 Finish Neck: Grinded/Pickled Finish Cover: Electropolished