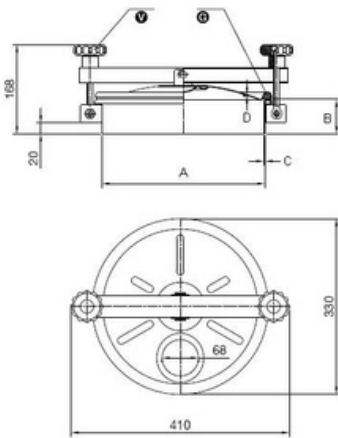


## Article properties



Article	9402.215B
Description	Round Inspection Cover 215/B Cover opening outwards Material: 1.4404 (316L) Pressure range: +0,2 bar Outside Neck diameter: Ø306mm Tolerance ISO2768 cL: ±1.2mm Welding Neck height: 65mm Welding Neck thickness: 2,0mm Cover thickness: 1,2mm 2x Plastic Handwheel MEC/60 EPDM gasket (FDA)G/TR300 Finish Neck: Grinded/Pickled Finish Cover: Electropolished
Name	215/B (Neck 65x2) 316
Name	215
Type	DN300
DN	306
A	65
B	2
C	1,2
D	0,2 bar
E	

Round Inspection Cover 215/B Cover opening outwards Material: 1.4404 (316L) Pressure range: +0,2 bar Outside Neck diameter: Ø306mm Tolerance ISO2768 cL: ±1.2mm Welding Neck height: 65mm Welding Neck thickness: 2,0mm Cover thickness: 1,2mm 2x Plastic Handwheel MEC/60 EPDM gasket (FDA)G/TR300 Finish Neck: Grinded/Pickled Finish Cover: Electropolished