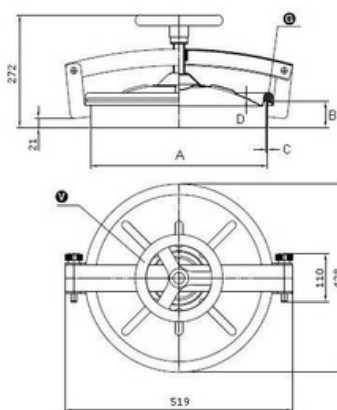


Article properties



Article	9402.224E Round Inspection Cover 224/E Cover
Description	opening outwards Material: 1.4307 (304L) Pressure range: +0,1 bar Outside Neck diameter: Ø404mm Tolerance ISO2768 cL: ±2.0mm Welding Neck height: 200mm Welding Neck thickness: 3,0mm Cover thickness: 1,2mm 1x Plastic Handwheel MEC/200 EPDM gasket (FDA) G/AE Finish Neck: Grinded/Pickled Finish Cover: Electropolished 224/E (Neck 200x3) 304
Name	220E
Type	DN400
DN	404
A	200
B	3
C	1,2
D	0,1 bar
E	

Round Inspection Cover 224/E Cover opening outwards Material: 1.4307 (304L) Pressure range: +0,1 bar Outside Neck diameter: Ø404mm Tolerance ISO2768 cL: ±2.0mm Welding Neck height: 200mm Welding Neck thickness: 3,0mm Cover thickness: 1,2mm 1x Plastic Handwheel MEC/200 EPDM gasket (FDA) G/AE Finish Neck: Grinded/Pickled Finish Cover: Electropolished