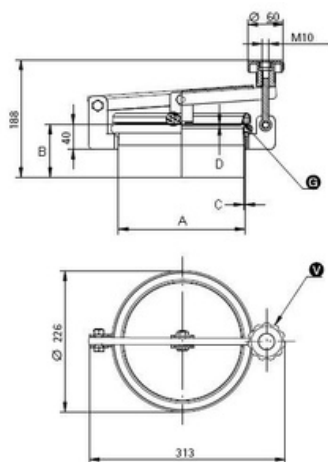


Article properties



Article	9402.230B
Description	Round Inspection Cover 230/B Cover opening outwards Material: 1.4404 (316L) Pressure range: +0,4 bar Outside Neck diameter: $\varnothing 201$ mm Tolerance ISO2768 cL: ± 1.2 mm Welding Neck height: 85mm Welding Neck thickness: 2,0mm Cover thickness: 1,2mm 1x Plastic Handwheel MEC/60 EPDM gasket (FDA) G/P200 Finish Neck: Grinded/Pickled Finish Cover: Electropolished
Name	230/B (Neck 85x2) 316
Name	230
Type	DN200
DN	201
A	85
B	2
C	1,2
D	0,4 bar
E	

Round Inspection Cover 230/B Cover opening outwards Material: 1.4404 (316L) Pressure range: +0,4 bar Outside Neck diameter: $\varnothing 201$ mm Tolerance ISO2768 cL: ± 1.2 mm Welding Neck height: 85mm Welding Neck thickness: 2,0mm Cover thickness: 1,2mm 1x Plastic Handwheel MEC/60 EPDM gasket (FDA) G/P200 Finish Neck: Grinded/Pickled Finish Cover: Electropolished