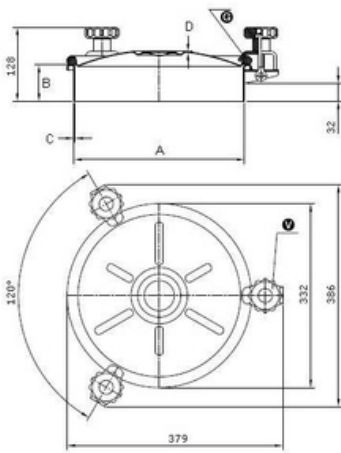


Article properties



Article	9402.245
Description	Round Inspection Cover 245 Cover opening outwards Material: 1.4307 (304L) Pressure range: +0,1 bar Outside Neck diameter: Ø306mm Tolerance ISO2768 cL: ±1.2mm Welding Neck height: 65mm Welding Neck thickness: 2,0mm Cover thickness: 1,2mm 3x Plastic Handwheel MEC/60 EPDM gasket (FDA)G/T300 Finish Neck: Grinded/Pickled Finish Cover: Electropolished
Name	245 (Neck 65x2) 304
Type	242
DN	DN300
A	306
B	65
C	2
D	1,2
E	0,1 bar

Round Inspection Cover 245 Cover opening outwards Material: 1.4307 (304L) Pressure range: +0,1 bar Outside Neck diameter: Ø306mm Tolerance ISO2768 cL: ±1.2mm Welding Neck height: 65mm Welding Neck thickness: 2,0mm Cover thickness: 1,2mm 3x Plastic Handwheel MEC/60 EPDM gasket (FDA)G/T300 Finish Neck: Grinded/Pickled Finish Cover: Electropolished