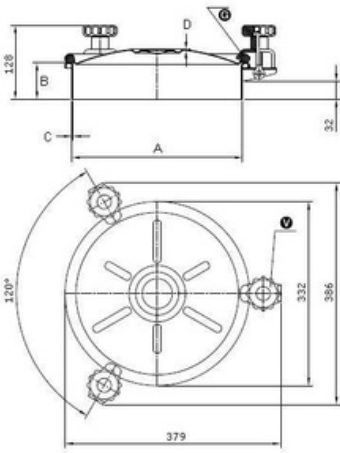


Article properties



| | |
|-------------|--|
| Article | 9402.245B |
| Description | Round Inspection Cover 245B Cover opening outwards Material: 1.4404 (316L) Pressure range: +0,1 bar Outside Neck diameter: Ø306mm Tolerance ISO2768 cL: ±1.2mm Welding Neck height: 65mm Welding Neck thickness: 2,0mm Cover thickness: 1,2mm 3x Plastic Handwheel MEC/60 EPDM gasket (FDA)G/T300 Finish Neck: Grinded/Pickled Finish Cover: Electropolished |
| Name | 245/B (Neck 65x2) 316 |
| Type | 245 |
| DN | DN300 |
| A | 306 |
| B | 65 |
| C | 2 |
| D | 1,2 |
| E | 0,1 bar |

Round Inspection Cover 245B Cover opening outwards Material: 1.4404 (316L) Pressure range: +0,1 bar Outside Neck diameter: Ø306mm Tolerance ISO2768 cL: ±1.2mm Welding Neck height: 65mm Welding Neck thickness: 2,0mm Cover thickness: 1,2mm 3x Plastic Handwheel MEC/60 EPDM gasket (FDA)G/T300 Finish Neck: Grinded/Pickled Finish Cover: Electropolished