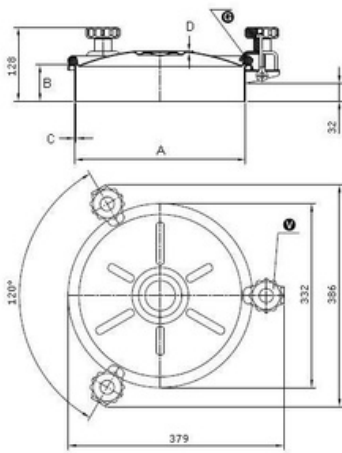


Article properties



Article	9402.246B Round Inspection Cover 246B Cover
Description	opening outwards Material: 1.4404 (316L) Pressure range: +0,1 bar Outside Neck diameter: Ø306mm Tolerance ISO2768 cL: ±1.2mm Welding Neck height: 100mm Welding Neck thickness: 2,0mm Cover thickness: 1,2mm 3x Plastic Handwheel MEC/60 EPDM gasket (FDA) Finish Neck: Grinded/Pickled Finish Cover: Electropolished
Name	246/B (Neck 100x2) 316
Type	245
DN	DN300
A	306
B	100
C	2
D	1,2
E	0,1 bar

Round Inspection Cover 246B Cover opening outwards Material: 1.4404 (316L) Pressure range: +0,1 bar Outside Neck diameter: Ø306mm Tolerance ISO2768 cL: ±1.2mm Welding Neck height: 100mm Welding Neck thickness: 2,0mm Cover thickness: 1,2mm 3x Plastic Handwheel MEC/60 EPDM gasket (FDA) Finish Neck: Grinded/Pickled Finish Cover: Electropolished