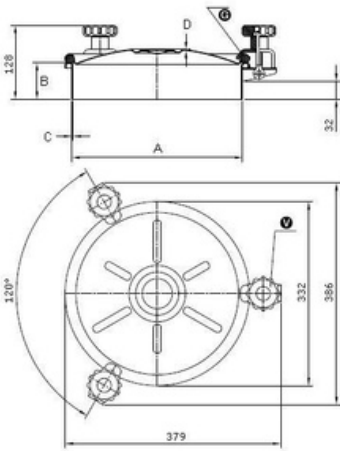


Article properties



Article	9402.248 Round Inspection Cover 248 Cover
Description	opening outwards Material: 1.4307 (304L) Pressure range: +0,1 bar Outside Neck diameter: Ø306mm Tolerance ISO2768 cL: ±1.2mm Welding Neck height: 200mm Welding Neck thickness: 2,0mm Cover thickness: 1,2mm 3x Plastic Handwheel MEC/60 EPDM gasket (FDA)G/T300 Finish Neck: Grinded/Pickled Finish Cover: Electropolished 248 (Neck 200x2) 304
Name	245
Type	DN300
DN	306
A	200
B	2
C	1,2
D	0,1 bar
E	

Round Inspection Cover 248 Cover opening outwards Material: 1.4307 (304L) Pressure range: +0,1 bar Outside Neck diameter: Ø306mm Tolerance ISO2768 cL: ±1.2mm Welding Neck height: 200mm Welding Neck thickness: 2,0mm Cover thickness: 1,2mm 3x Plastic Handwheel MEC/60 EPDM gasket (FDA)G/T300 Finish Neck: Grinded/Pickled Finish Cover: Electropolished