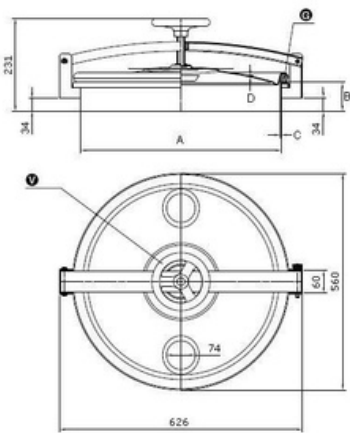


Article properties



Article	9402.271B Round Inspection Cover 271/B Cover
Description	opening outwards Material: 1.4404 (316L) Pressure range: +0,1 bar Outside Neck diameter: Ø518mm Tolerance ISO2768 cL: ±2.0mm Welding Neck height: 100mm Welding Neck thickness: 3,0mm Cover thickness: 2,0mm 1x Plastic Handwheel MEC/151 EPDM gasket (FDA) G/TR500 Finish Neck: Grinded/Pickled Finish Cover: Electropolished 271/B (NEck 100x3) 316
Name	270
Type	DN500
DN	518
A	100
B	3
C	2
D	0,0 bar
E	

Round Inspection Cover 271/B Cover opening outwards Material: 1.4404 (316L) Pressure range: +0,1 bar Outside Neck diameter: Ø518mm Tolerance ISO2768 cL: ±2.0mm Welding Neck height: 100mm Welding Neck thickness: 3,0mm Cover thickness: 2,0mm 1x Plastic Handwheel MEC/151 EPDM gasket (FDA) G/TR500 Finish Neck: Grinded/Pickled Finish Cover: Electropolished