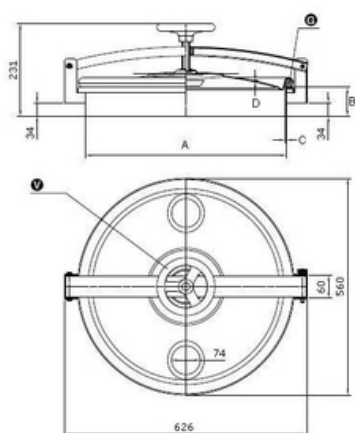


Article properties



| | |
|-------------|---|
| Article | 9402.273 Round Inspection Cover 273 Cover |
| Description | opening outwards Material: 1.4307 (304L) Pressure range: +0,1 bar Outside Neck diameter: Ø518mm Tolerance ISO2768 cL: ±2.0mm Welding Neck height: 200mm Welding Neck thickness: 3,0mm Cover thickness: 2,0mm 1x Plastic Handwheel MEC/151 EPDM gasket (FDA) G/TR500 Finish Neck: Grinded/Pickled Finish Cover: Electropolished 273 (Neck 200x3) 304 |
| Name | 270 |
| Type | DN500 |
| DN | 518 |
| A | 200 |
| B | 3 |
| C | 2 |
| D | 0,0 bar |
| E | |

Round Inspection Cover 273 Cover opening outwards Material: 1.4307 (304L) Pressure range: +0,1 bar Outside Neck diameter: Ø518mm Tolerance ISO2768 cL: ±2.0mm Welding Neck height: 200mm Welding Neck thickness: 3,0mm Cover thickness: 2,0mm 1x Plastic Handwheel MEC/151 EPDM gasket (FDA) G/TR500 Finish Neck: Grinded/Pickled Finish Cover: Electropolished