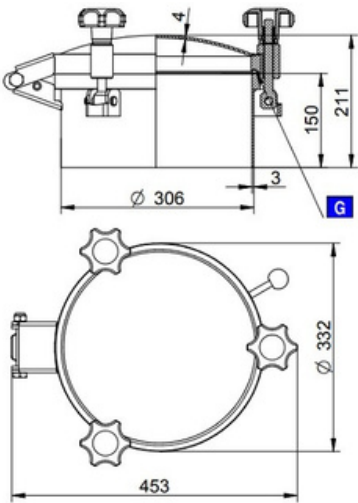


Article properties



Article	9402.300LB Zorzini pressure manlid 300L/B Outside
Description	neck diameter: 306mm Tolerance ISO2768 cL: ±2.0mm Mat. wetted parts: 1.4404 Working Pressure: -1/+1bar Welding neck height: 150mm Welding neck thickness: 3,0mm Cover thickness: 4,0mm 3x Plastic handwheel MEC/80 Gasket: EPDM (FDA) Type gasket: G/300P Finish neck: Grinded/Pickled Finish cover: Electropolished Design code: EN13445-3 300L/B (Neck 150x3) 316
Name	1.4404
Material	300L
Type	DN300
DN	306
A	150
B	3
C	4
D	-1/+1 bar
E	

Zorzini pressure manlid 300L/B Outside neck diameter: 306mm Tolerance ISO2768 cL: ±2.0mm Mat. wetted parts: 1.4404 Working Pressure: -1/+1bar Welding neck height: 150mm Welding neck thickness: 3,0mm Cover thickness: 4,0mm 3x Plastic handwheel MEC/80 Gasket: EPDM (FDA) Type gasket: G/300P Finish neck: Grinded/Pickled Finish cover: Electropolished Design code: EN13445-3