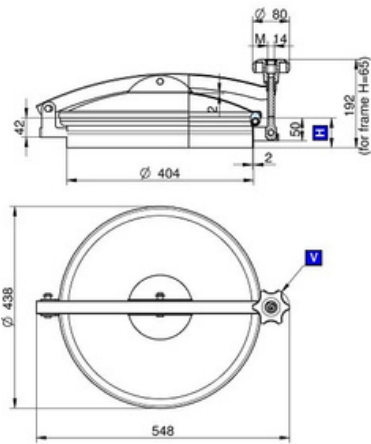


Article properties



Article	9402.400/AZ-GNB
Description	Round Manhole Cover 400/AZ-GN Opening outwards: hinge/swivel Material: 1.4404 (316L) Pressure range: -0,7/+0,05 bar Outside Neck diameter: $\varnothing 404$ mm Tolerance: ISO2768 cL: $\pm 2,0$ mm Welding Neck height: 65mm Welding Neck thickness: 2,0mm Cover thickness: 2,0mm 1x Plastic Handwheel MEC/80/A EPDM gasket (FDA) 400AZ/GN Finish Neck: Grinded/Pickled Finish Cover: Electropolished 400/AZ-GN (Neck 65x2) 316
Name	1.4404
Material	400/AZ
Type	DN400
DN	65
B	2
C	2
D	0,05 bar
E	

Round Manhole Cover 400/AZ-GN Opening outwards: hinge/swivel Material: 1.4404 (316L) Pressure range: -0,7/+0,05 bar Outside Neck diameter: $\varnothing 404$ mm Tolerance: ISO2768 cL: $\pm 2,0$ mm Welding Neck height: 65mm Welding Neck thickness: 2,0mm Cover thickness: 2,0mm 1x Plastic Handwheel MEC/80/A EPDM gasket (FDA) 400AZ/GN Finish Neck: Grinded/Pickled Finish Cover: Electropolished