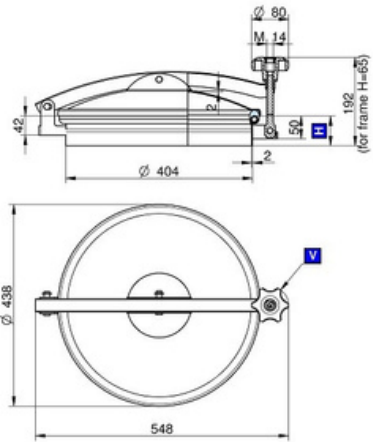


Article properties



Article	9402.402/AZ-GN Round Manhole Cover 402/AZ-
Description	GN Opening outwards: hinge/swivel Material: 1.4307 (304L) Pressure range: -0,7/+0,05 bar Outside Neck diameter: Ø404mm Tolerance: ISO2768 cL: ±2.0mm Welding Neck height: 150mm Welding Neck thickness: 2,0mm Cover thickness: 2,0mm 1x Plastic Handwheel MEC/80/A EPDM gasket (FDA) 400AZ/GN Finish Neck: Grinded/Pickled Finish Cover: Electropolished 402/AZ-GN (Neck 150x2) 304 1.4307 400/AZ DN400 150 2 2 0,05 bar

Name	
Material	
Type	
DN	
B	
C	
D	
E	

Round Manhole Cover 402/AZ-GN Opening outwards: hinge/swivel Material: 1.4307 (304L) Pressure range: -0,7/+0,05 bar Outside Neck diameter: Ø404mm Tolerance: ISO2768 cL: ±2.0mm Welding Neck height: 150mm Welding Neck thickness: 2,0mm Cover thickness: 2,0mm 1x Plastic Handwheel MEC/80/A EPDM gasket (FDA) 400AZ/GN Finish Neck: Grinded/Pickled Finish Cover: Electropolished