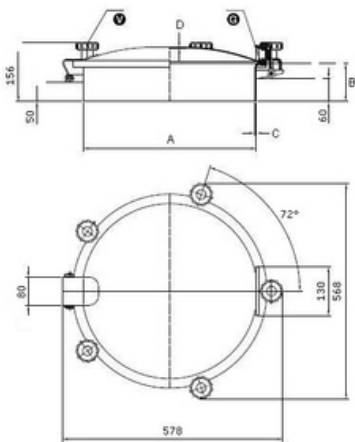


Article properties



Article	9402.5V451
Description	Round Manhole Cover 5V/451 Cover opening outwards Material: 1.4307 (304L) Pressure range: +0,5 bar Outside Neck diameter: Ø454mm Tolerance ISO2768 cL: ±2.0mm Welding Neck height: 150mm Welding Neck thickness: 3,0mm Cover thickness: 2,0mm 5x Plastic Handwheel MEC/60 EPDM gasket (FDA) G/T450 Finish Neck: Grinded/Pickled Finish Cover: Electropolished
Name	5V/451 (Neck 150x3) 304
Name	5V/450
Type	DN450
DN	454
A	150
B	3
C	2
D	0,5 bar
E	

Round Manhole Cover 5V/451 Cover opening outwards Material: 1.4307 (304L) Pressure range: +0,5 bar Outside Neck diameter: Ø454mm Tolerance ISO2768 cL: ±2.0mm Welding Neck height: 150mm Welding Neck thickness: 3,0mm Cover thickness: 2,0mm 5x Plastic Handwheel MEC/60 EPDM gasket (FDA) G/T450 Finish Neck: Grinded/Pickled Finish Cover: Electropolished