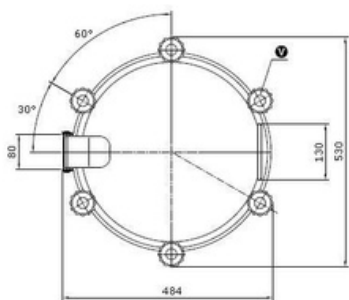
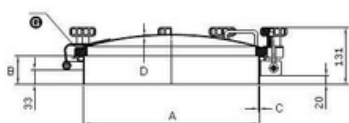


## Article properties



Article	9402.6V252B Round Manhole Cover 6V/252/B
Description	Cover opening outwards Material: 1.4404 (316L) Pressure range: +1,2 bar Outside Neck diameter: Ø404mm Tolerance ISO2768 cL: ±2.0mm Welding Neck height: 150mm Welding Neck thickness: 3,0mm Cover thickness: 2,0mm 6x Plastic Handwheel MEC/60 EPDM gasket (FDA)G/6V250 Finish Neck: Grinded/Pickled Finish Cover: Electropolished
Name	6V/252/B (Neck 150x3) 316
Type	6V250
DN	DN400
A	404
B	150
C	2
D	2
E	1,2 bar

Round Manhole Cover 6V/252/B Cover opening outwards Material: 1.4404 (316L) Pressure range: +1,2 bar Outside Neck diameter: Ø404mm Tolerance ISO2768 cL: ±2.0mm Welding Neck height: 150mm Welding Neck thickness: 3,0mm Cover thickness: 2,0mm 6x Plastic Handwheel MEC/60 EPDM gasket (FDA)G/6V250 Finish Neck: Grinded/Pickled Finish Cover: Electropolished