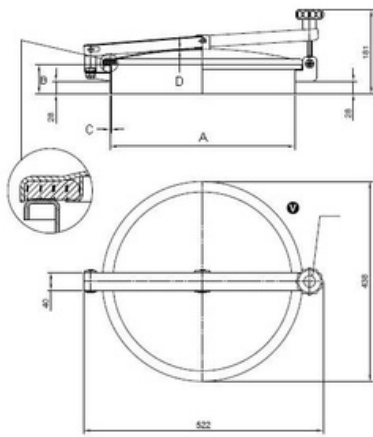


Article properties



Article	9402.N241 Round Manhole Cover N/241 Opening
Description	outwards: hinge/swivel Material: 1.4307 (304L) Pressure range: pressureless Outside Neck diameter: Ø404mm Tolerance ISO2768 cL: ±2.0mm Welding Neck height: 100mm Welding Neck thickness: 2,0mm Cover thickness: 2,0mm 1x Plastic Handwheel MEC/60 EPDM gasket (FDA)G/NL250 Finish Neck: Grinded/Pickled Finish Cover: Electropolished N/241 (Kraag 100x2) 304
Name	N240
Type	DN400
DN	404
A	100
B	2
C	2
D	0,0 bar
E	

Round Manhole Cover N/241 Opening outwards: hinge/swivel Material: 1.4307 (304L) Pressure range: pressureless Outside Neck diameter: Ø404mm Tolerance ISO2768 cL: ±2.0mm Welding Neck height: 100mm Welding Neck thickness: 2,0mm Cover thickness: 2,0mm 1x Plastic Handwheel MEC/60 EPDM gasket (FDA)G/NL250 Finish Neck: Grinded/Pickled Finish Cover: Electropolished