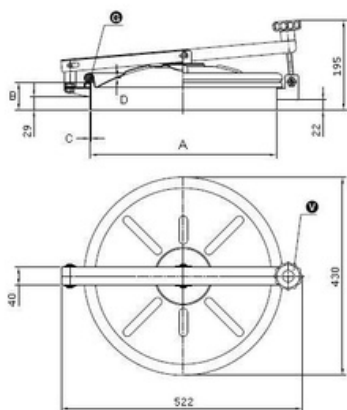


Article properties



Article	9402.N250
Description	Round Manhole Cover N/250 Opening outwards: hinge/swivel Material: 1.4307 (304L) Pressure range: pressureless Outside Neck diameter: Ø404mm Tolerance ISO2768 cL: ±2.0mm Welding Neck height: 65mm Welding Neck thickness: 2,0mm Cover thickness: 1,2mm 1x Plastic Handwheel MEC/60 EPDM gasket (FDA) G/AE Finish Neck: Grinded/Pickled Finish Cover: Electropolished N/250 (Neck 65x2) 304
Name	N/250
Type	DN400
DN	404
A	65
B	2
C	1,2
D	0,0 bar
E	

Round Manhole Cover N/250 Opening outwards: hinge/swivel Material: 1.4307 (304L) Pressure range: pressureless Outside Neck diameter: Ø404mm Tolerance ISO2768 cL: ±2.0mm Welding Neck height: 65mm Welding Neck thickness: 2,0mm Cover thickness: 1,2mm 1x Plastic Handwheel MEC/60 EPDM gasket (FDA) G/AE Finish Neck: Grinded/Pickled Finish Cover: Electropolished