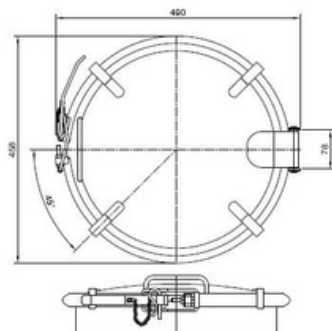
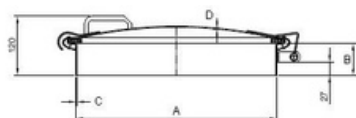


## Article properties



Article	9402.NL253
Description	Round Manhole Cover NL/253 With clamping ring Cover opening outwards Material: 1.4307 (304L) Pressure range: +1,0 bar Outside Neck diameter: Ø404mm Tolerance ISO2768 cL: ±2.0mm Welding Neck height: 200mm Welding Neck thickness: 2,0mm Cover thickness: 2,0mm EPDM gasket (FDA) G/NL250 Finish Neck: Grinded/Pickled Finish Cover: Electropolished NL/253 (Neck 200x2) 304
Name	NL/250
Type	DN400
DN	404
A	200
B	2
C	2
D	1,0 bar
E	

Round Manhole Cover NL/253 With clamping ring Cover opening outwards Material: 1.4307 (304L)  
Pressure range: +1,0 bar Outside Neck diameter: Ø404mm Tolerance ISO2768 cL: ±2.0mm Welding  
Neck height: 200mm Welding Neck thickness: 2,0mm Cover thickness: 2,0mm EPDM gasket (FDA)  
G/NL250 Finish Neck: Grinded/Pickled Finish Cover: Electropolished