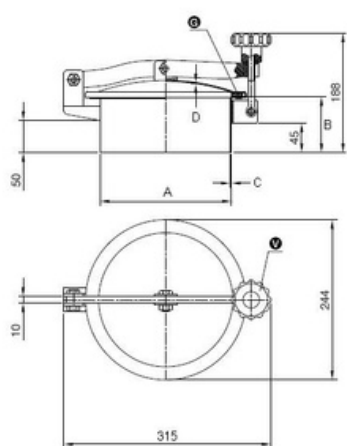


Article properties



Article	9402.T1/201B
Description	Round Inspection Cover T1/201B Opening outwards: hinge/swivel Material: 1.4404 (316L) Pressure range: +0,5 bar Outside Neck diameter: Ø201mm Tolerantie ISO2768 cL: ±1.2mm Welding Neck height: 150mm Welding Neck thickness: 2,0mm Cover thickness: 1,5mm 1x Plastic Handwheel MEC/60 EPDM gasket (FDA)G/T200 Finish Neck: Grinded/Pickled Finish Cover: Electropolished
Name	T1/201/B (Neck 150x2) 316
Type	T1/200
DN	DN200
A	201
B	150
C	2
D	1,5
E	0,5 bar

Round Inspection Cover T1/201B Opening outwards: hinge/swivel Material: 1.4404 (316L) Pressure range: +0,5 bar Outside Neck diameter: Ø201mm Tolerantie ISO2768 cL: ±1.2mm Welding Neck height: 150mm Welding Neck thickness: 2,0mm Cover thickness: 1,5mm 1x Plastic Handwheel MEC/60 EPDM gasket (FDA)G/T200 Finish Neck: Grinded/Pickled Finish Cover: Electropolished