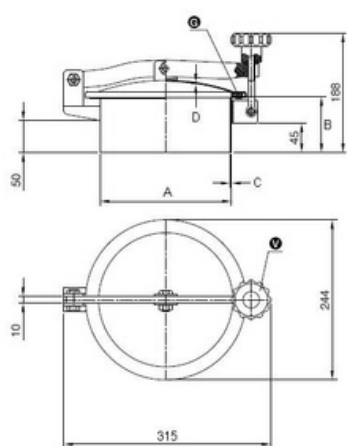


## Article properties



Article	9402.T1/202B Round Inspection Cover T1/202B
Description	Opening outwards: hinge/swivel Material: 1.4404 (316L) Pressure range: +0,5 bar Outside Neck diameter: Ø201mm Tolerance ISO2768 cL: ±1.2mm Welding Neck height: 200mm Welding Neck thickness: 2,0mm Cover thickness: 1,5mm 1x Plastic Handwheel MEC/60 EPDM gasket (FDA)G/T200 Finish Neck: Grinded/Pickled Finish Cover: Electropolished T1/202/B (Neck 200x2) 316
Name	T1/200
Type	DN200
DN	201
A	200
B	2
C	1,5
D	0,5 bar
E	

Round Inspection Cover T1/202B Opening outwards: hinge/swivel Material: 1.4404 (316L) Pressure range: +0,5 bar Outside Neck diameter: Ø201mm Tolerance ISO2768 cL: ±1.2mm Welding Neck height: 200mm Welding Neck thickness: 2,0mm Cover thickness: 1,5mm 1x Plastic Handwheel MEC/60 EPDM gasket (FDA)G/T200 Finish Neck: Grinded/Pickled Finish Cover: Electropolished