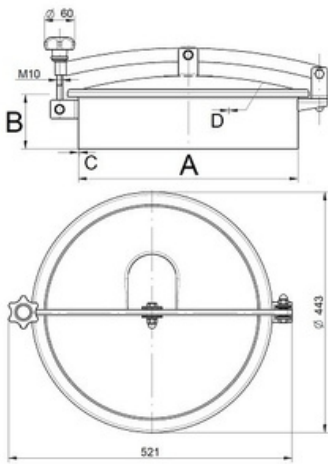


Article properties



Article	9402.T1/402 Round Inspection Cover T1/402
Description	Opening outwards: hinge/swivel Material: 1.4301 (304) Pressure range: pressureless Outside Neck diameter: Ø404mm Tolerance: ISO2768 cL: ±2.0mm Welding Neck height: 150mm Welding Neck thickness: 2,0mm Cover thickness: 2,0mm 1x Plastic Handwheel MEC/60 EPDM gasket (FDA)G/T400 Finish Neck: Grinded/Pickled Finish Cover: Electropolished T1/400
Type	DN400
DN	404
A	150
B	2
C	2
D	0,0 bar
E	

Round Inspection Cover T1/402 Opening outwards: hinge/swivel Material: 1.4301 (304) Pressure range: pressureless Outside Neck diameter: Ø404mm Tolerance: ISO2768 cL: ±2.0mm Welding Neck height: 150mm Welding Neck thickness: 2,0mm Cover thickness: 2,0mm 1x Plastic Handwheel MEC/60 EPDM gasket (FDA)G/T400 Finish Neck: Grinded/Pickled Finish Cover: Electropolished