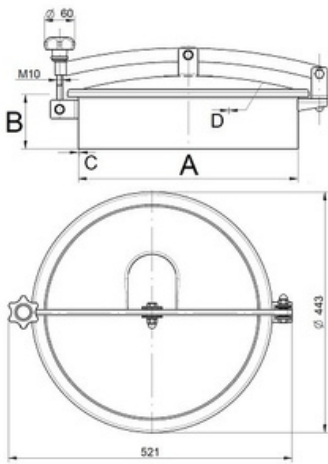


Article properties



| | |
|-------------|---|
| Article | 9402.T1/403 Round Inspection Cover T1/403 |
| Description | Opening outwards: hinge/swivel Material: 1.4301 (304) Pressure range: pressureless Outside Neck diameter: Ø404mm Tolerance: ISO2768 cL: ±2.0mm Welding Neck height: 200mm Welding Neck thickness: 2,0mm Cover thickness: 2,0mm 1x Plastic Handwheel MEC/60 EPDM gasket (FDA) G/T400 Finish Neck: Grinded/Pickled Finish Cover: Electropolished T1/400 |
| Type | DN400 |
| DN | 404 |
| A | 200 |
| B | 2 |
| C | 2 |
| D | 0,0 bar |
| E | |

Round Inspection Cover T1/403 Opening outwards: hinge/swivel Material: 1.4301 (304) Pressure range: pressureless Outside Neck diameter: Ø404mm Tolerance: ISO2768 cL: ±2.0mm Welding Neck height: 200mm Welding Neck thickness: 2,0mm Cover thickness: 2,0mm 1x Plastic Handwheel MEC/60 EPDM gasket (FDA) G/T400 Finish Neck: Grinded/Pickled Finish Cover: Electropolished