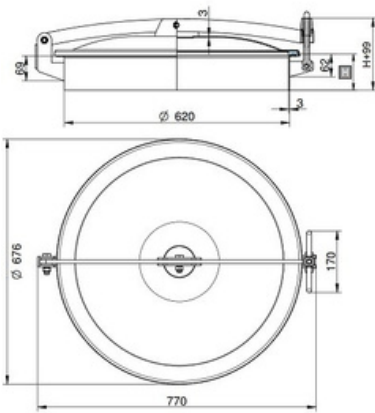


## Article properties



Article	9402.T1/601B
Description	Round Manhole Cover T1/601/B Opening outwards Material: 1.4404 (316L) Pressure range: pressureless Outside Neck diameter: Ø620mm Tolerance: ISO2768 cL: ±2.0mm Welding Neck height: 150mm Welding Neck thickness: 3,0mm Cover thickness: 3,0mm 1x Stainless T-Handle VI/165/A EPDM gasket (FDA) G/T600 Finish Neck: Grinded/Pickled Finish Cover: Electropolished
Name	T1/601/B (Neck 100x3) 316
Type	T1/600
DN	DN600
A	620
B	150
C	3
D	3
E	0,0 bar

Round Manhole Cover T1/601/B Opening outwards Material: 1.4404 (316L) Pressure range: pressureless Outside Neck diameter: Ø620mm Tolerance: ISO2768 cL: ±2.0mm Welding Neck height: 150mm Welding Neck thickness: 3,0mm Cover thickness: 3,0mm 1x Stainless T-Handle VI/165/A EPDM gasket (FDA) G/T600 Finish Neck: Grinded/Pickled Finish Cover: Electropolished