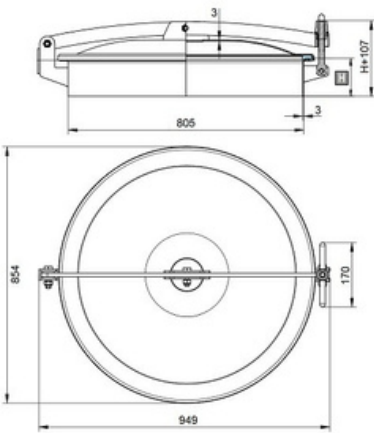


## Article properties



Article	9402.T1/800
Description	Round Manhole Cover T1/800 Opening outwards Material: 1.4307 (304L) Pressure range: pressureless Outside Neck diameter: Ø805mm Tolerance: ISO2768 cL: ±2.0mm Welding Neck height: 105mm Welding Neck thickness: 3,0mm Cover thickness: 3,0mm 1x Stainless T-Handle VI/165A EPDM gasket (FDA) G/800 Finish Neck: Grinded/Pickled Finish Cover: Bead blasted T1/800 (Neck 105x3) 304
Name	T1/800
Type	DN800
DN	805
A	105
B	3
C	3
D	0,0 bar
E	

Round Manhole Cover T1/800 Opening outwards Material: 1.4307 (304L) Pressure range: pressureless Outside Neck diameter: Ø805mm Tolerance: ISO2768 cL: ±2.0mm Welding Neck height: 105mm Welding Neck thickness: 3,0mm Cover thickness: 3,0mm 1x Stainless T-Handle VI/165A EPDM gasket (FDA) G/800 Finish Neck: Grinded/Pickled Finish Cover: Bead blasted