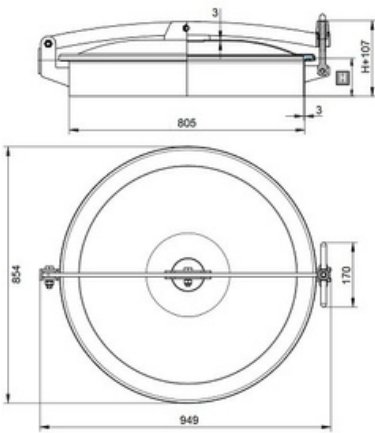


Article properties



Article	9402.T1/800B
Description	Round Manhole Cover T1/800/B Opening outwards Material: 1.4404 (316L) Pressure range: pressureless Outside Neck diameter: Ø805mm Tolerance: ISO2768 cL: ±2.0mm Welding Neck height: 105mm Welding Neck thickness: 3,0mm Cover thickness: 3,0mm 1x Stainless T-Handle VI/165/A EPDM gasket (FDA) G/800 Finish Neck: Grinded/Pickled Finish Cover: Bead blasted
Name	T1/800/B (Neck 105x3) 316
Type	T1/800
DN	DN800
A	805
B	105
C	3
D	3
E	0,0 bar

Round Manhole Cover T1/800/B Opening outwards Material: 1.4404 (316L) Pressure range: pressureless Outside Neck diameter: Ø805mm Tolerance: ISO2768 cL: ±2.0mm Welding Neck height: 105mm Welding Neck thickness: 3,0mm Cover thickness: 3,0mm 1x Stainless T-Handle VI/165/A EPDM gasket (FDA) G/800 Finish Neck: Grinded/Pickled Finish Cover: Bead blasted