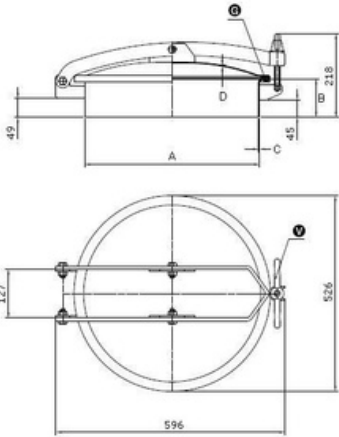


Article properties



Article	9402.T452B Round Manhole Cover T/452/B Cover
Description	opening outwards Hinge with double bracket Material: 1.4404 (316L) Pressure range: +0,1 bar Outside Neck diameter: Ø454mm Tolerance: ISO2768 cL: ±2.0mm Welding Neck height: 200mm Welding Neck thickness: 3,0mm Cover thickness: 2,0mm 1x Stainless T-Handle VI/165/A EPDM gasket (FDA) G/T450 Finish Neck: Grinded/Pickled Finish Cover: Electropolished T/452/B (Neck 200x3) 316 T/450 DN450 454 200 3 2 0,1 bar

Name	
Type	
DN	
A	
B	
C	
D	
E	

Round Manhole Cover T/452/B Cover opening outwards Hinge with double bracket Material: 1.4404 (316L) Pressure range: +0,1 bar Outside Neck diameter: Ø454mm Tolerance: ISO2768 cL: ±2.0mm Welding Neck height: 200mm Welding Neck thickness: 3,0mm Cover thickness: 2,0mm 1x Stainless T-Handle VI/165/A EPDM gasket (FDA) G/T450 Finish Neck: Grinded/Pickled Finish Cover: Electropolished