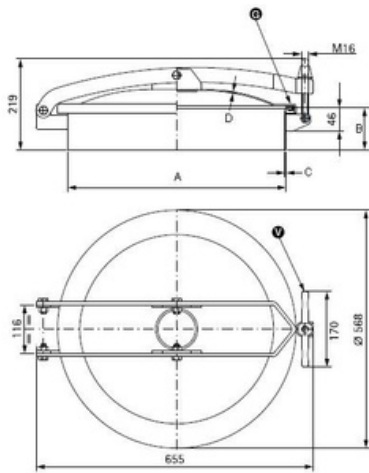


Article properties



| | |
|-------------|--|
| Article | 9402.T500B Round Manhole Cover T/500/B Cover |
| Description | opening outwards Hinge with double bracket Material: 1.4404 (316L) Pressure range: +0,1 bar Outside Neck diameter: Ø518mm Tolerance: ISO2768 cL: ±2.0mm Welding Neck height: 100mm Welding Neck thickness: 3,0mm Cover thickness: 3,0mm 1x Stainless T-Handle VI/165/A EPDM gasket (FDA) G/T500 Finish Neck: Grinded/Pickled Finish Cover: Electropolished T/500/B (Neck 100x3) 316 T/500 DN500 518 100 3 3 0,1 bar |

| | |
|------|--|
| Name | |
| Type | |
| DN | |
| A | |
| B | |
| C | |
| D | |
| E | |

Round Manhole Cover T/500/B Cover opening outwards Hinge with double bracket Material: 1.4404 (316L) Pressure range: +0,1 bar Outside Neck diameter: Ø518mm Tolerance: ISO2768 cL: ±2.0mm Welding Neck height: 100mm Welding Neck thickness: 3,0mm Cover thickness: 3,0mm 1x Stainless T-Handle VI/165/A EPDM gasket (FDA) G/T500 Finish Neck: Grinded/Pickled Finish Cover: Electropolished