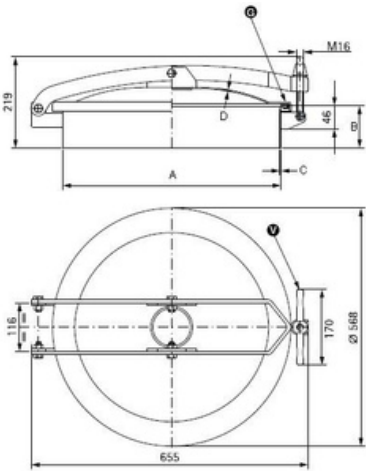


Article properties



Article	9402.T501 Round Manhole Cover T/501 Cover
Description	opening outwards Hinge with double bracket Material: 1.4307 (304L) Pressure range: +0,1 bar Outside Neck diameter: Ø518mm Tolerance: ISO2768 cL: ±2.0mm Welding Neck height: 150mm Welding Neck thickness: 3,0mm Cover thickness: 3,0mm 1x Stainless T-Handle VI/165/A EPDM gasket (FDA) G/T500 Finish Neck: Grinded/Pickled Finish Cover: Electropolished T/501 (Neck 150x3) 304 T/500 DN500 518 150 3 3 0,1 bar

Name	
Type	
DN	
A	
B	
C	
D	
E	



Round Manhole Cover T/501 Cover opening outwards Hinge with double bracket Material: 1.4307 (304L) Pressure range: +0,1 bar Outside Neck diameter: Ø518mm Tolerance: ISO2768 cL: ±2.0mm Welding Neck height: 150mm Welding Neck thickness: 3,0mm Cover thickness: 3,0mm 1x Stainless T-Handle VI/165/A EPDM gasket (FDA) G/T500 Finish Neck: Grinded/Pickled Finish Cover: Electropolished