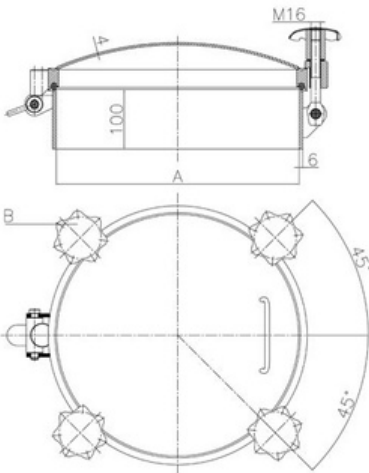




Mangatdeksel is optioneel leverbaar met kijkglas



Article properties

Article	9405.D25/300
Description	Fratelli Laveggi cover DN300 Inner welding neck diam.: 300mm Mat. wetted parts: 1.4301 Mat. external parts: 1.4301 Working Pressure: -1/+1.5 bar Temperature: 200° Celsius Gasket: Silicon Temp.range gasket: -50/+200°C Welding neck height: 100mm Welding neck thickness: 6mm Cover thickness: 4mm 4x Stainless steel M16 Hinge / Grip: Yes / Yes Finish: Ground With PED-approval Manhole D25 NW300 -1/+1 bar 304
Name	1.4301
Material	D25
Type	DN300
DN A B	300
	4

Fratelli Laveggi cover DN300 Inner welding neck diam.: 300mm Mat. wetted parts: 1.4301 Mat. external parts: 1.4301 Working Pressure: -1/+1.5 bar Temperature: 200° Celsius Gasket: Silicon Temp.range gasket: -50/+200°C Welding neck height: 100mm Welding neck thickness: 6mm Cover thickness: 4mm 4x Stainless steel M16 Hinge / Grip: Yes / Yes Finish: Ground With PED-approval