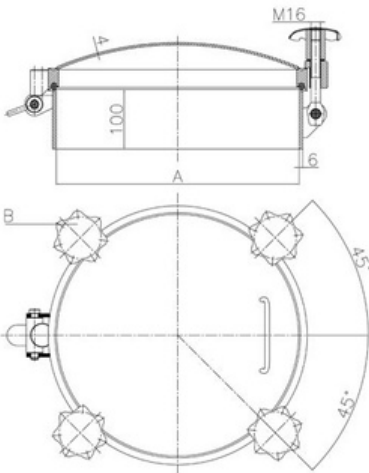




Mangatdeksel is optioneel leverbaar met kijkglas



Article properties

Article	9405.D25/500B Fratelli Laveggi cover DN500 Inner
Description	welding neck diam.: 500mm Mat. wetted parts: 1.4404 Mat. external parts: 1.4301 Working Pressure: -1/+1 bar Temperature: 150° Celsius Gasket: Silicon Temp.range gasket: -50/+200°C Welding neck height: 100mm Welding neck thickness: 6mm Cover thickness: 4mm 6x Stainless steel handwheel M16 Hinge / Grip: Yes / Yes Finish: Ground With PED approval Manhole D25 NW500 -1/+1 bar 316
Name	1.4404 D2 DN500 500 100 6 4 6

Material	
Type	
DN	
A	
B	
C	
D	
E	

Fratelli Laveggi cover DN500 Inner welding neck diam.: 500mm Mat. wetted parts: 1.4404 Mat.
external parts: 1.4301 Working Pressure: -1/+1 bar Temperature: 150° Celsius Gasket: Silicon
Temp.range gasket: -50/+200°C Welding neck height: 100mm Welding neck thickness: 6mm Cover
thickness: 4mm 6x Stainless steel handwheel M16 Hinge / Grip: Yes / Yes Finish: Ground With PED
approval