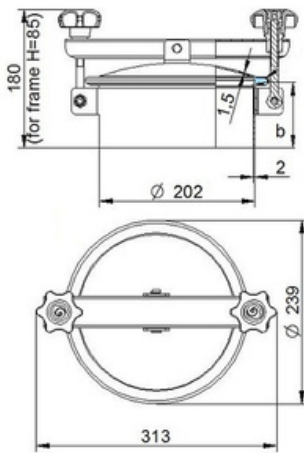


Article properties



Article	9402.N/231/2V Round Inspection Cover N/231/2V
Description	Cover opening outwards Material: 1.4307 (304L) Pressure range: +0,5 bar Outside Neck diameter: $\varnothing 202$ mm Tolerance ISO2768 cL: ± 1.2 mm Welding Neck height: 150mm Welding Neck thickness: 2,0mm Cover thickness: 1,5mm 2x Plastic Handwheel MEC/60 EPDM gasket (FDA) G/T200 Finish Neck: Grinded/Pickled Finish Cover: Electropolished N/231/2V (Neck 150x2) 304
Name	N/230/2V
Type	DN200
DN	202
A	150
B	2
C	1,5
D	0,5 bar
E	

Round Inspection Cover N/231/2V Cover opening outwards Material: 1.4307 (304L) Pressure range:
+0,5 bar Outside Neck diameter: $\varnothing 202$ mm Tolerance ISO2768 cL: ± 1.2 mm Welding Neck height:
150mm Welding Neck thickness: 2,0mm Cover thickness: 1,5mm 2x Plastic Handwheel MEC/60
EPDM gasket (FDA) G/T200 Finish Neck: Grinded/Pickled Finish Cover: Electropolished