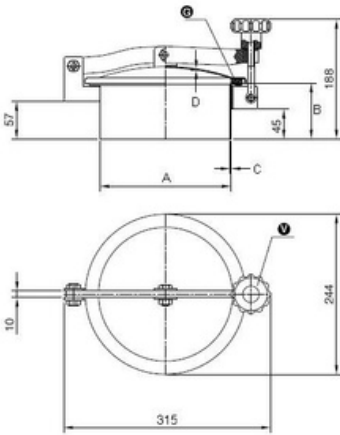


### Article properties



Article	9402.N231B Round Inspection Cover N/231/B
Description	Cover opening outwards Material: 1.4404 (316L) Pressure range: +0,5 bar Outside Neck diameter: Ø201mm Tolerance ISO2768 cL: ±1.2mm Welding Neck height: 150mm Welding Neck thickness: 2,0mm Cover thickness: 1,5mm 1x Plastic Handwheel MEC/60 EPDM gasket (FDA)G/T200 Finish Neck: Grinded/Pickled Finish Cover: Electropolished
Name	N/231/B (Neck 150x2) 316
Type	N/230
DN	DN200
A	201
B	150
C	2
D	1,5
E	0,5 bar

Round Inspection Cover N/231/B Cover opening outwards Material: 1.4404 (316L) Pressure range: +0,5 bar Outside Neck diameter: Ø201mm Tolerance ISO2768 cL: ±1.2mm Welding Neck height: 150mm Welding Neck thickness: 2,0mm Cover thickness: 1,5mm 1x Plastic Handwheel MEC/60 EPDM gasket (FDA)G/T200 Finish Neck: Grinded/Pickled Finish Cover: Electropolished