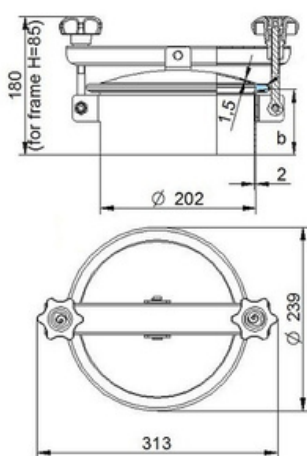
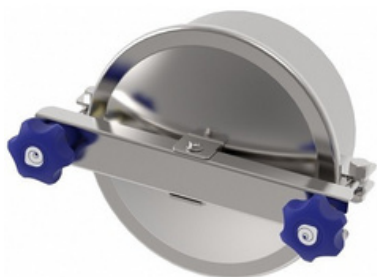


## Article properties



Article	9402.N/232/2V Round Inspection Cover N/232/2V
Description	Cover opening outwards Material: 1.4307 (304L) Pressure range: +0,5 bar Outside Neck diameter: $\varnothing 202$ mm Tolerance ISO2768 cL: $\pm 1.2$ mm Welding Neck height: 200mm Welding Neck thickness: 2,0mm Cover thickness: 1,5mm 2x Plastic Handwheel MEC/60 EPDM gasket (FDA) G/T200 Finish Neck: Grinded/Pickled Finish Cover: Electropolished N/232/2V (Neck 200x2) 304
Name	N/230/2V
Type	DN200
DN	202
A	200
B	2
C	1,5
D	0,5 bar
E	

Round Inspection Cover N/232/2V Cover opening outwards Material: 1.4307 (304L) Pressure range:  
+0,5 bar Outside Neck diameter:  $\varnothing 202$ mm Tolerance ISO2768 cL:  $\pm 1.2$ mm Welding Neck height:  
200mm Welding Neck thickness: 2,0mm Cover thickness: 1,5mm 2x Plastic Handwheel MEC/60  
EPDM gasket (FDA) G/T200 Finish Neck: Grinded/Pickled Finish Cover: Electropolished