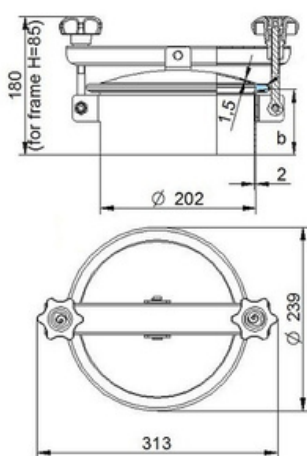
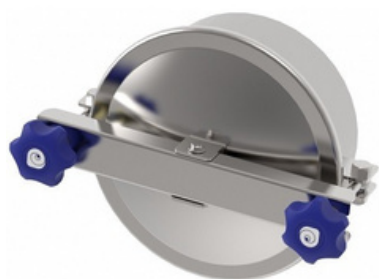


## Article properties



Article	9402.N/232/2VB	Round	Inspection	Cover
Description	N/232/2V/B Cover opening outwards Material: 1.4404 (316L) Pressure range: +0,5 bar Outside Neck diameter: $\varnothing 202$ mm Tolerance ISO2768 cL: $\pm 1.2$ mm Welding Neck height: 200mm Welding Neck thickness: 2,0mm Cover thickness: 1,5mm 2x Plastic Handwheel MEC/60 EPDM gasket (FDA) G/T200 Finish Neck: Grinded/Pickled Finish Cover: Electropolished			
Name	N/232/2V/B (Neck 200x2) 316			
Type	N/230/2V			
DN	DN200			
A	202			
B	200			
C	2			
D	1,5			
E	0,5 bar			

Round Inspection Cover N/232/2V/B Cover opening outwards Material: 1.4404 (316L) Pressure range: +0,5 bar Outside Neck diameter:  $\varnothing 202$ mm Tolerance ISO2768 cL:  $\pm 1.2$ mm Welding Neck height: 200mm Welding Neck thickness: 2,0mm Cover thickness: 1,5mm 2x Plastic Handwheel MEC/60 EPDM gasket (FDA) G/T200 Finish Neck: Grinded/Pickled Finish Cover: Electropolished