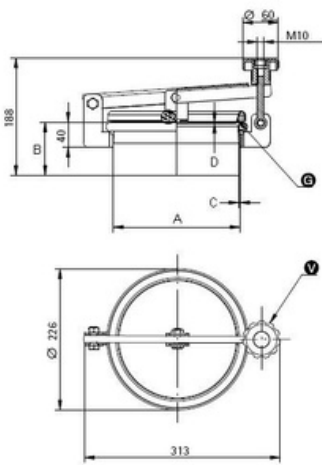


Article properties



Article	9402.232B Round Inspection Cover 232/B Cover
Description	opening outwards Material: 1.4404 (316L) Pressure range: +0,4 bar Outside Neck diameter: Ø201mm Tolerance ISO2768 cL: ±1.2mm Welding Neck height: 200mm Welding Neck thickness: 2,0mm Cover thickness: 1,2mm 1x Plastic Handwheel MEC/60 EPDM gasket (FDA)G/P200 Finish Neck: Grinded/Pickled Finish Cover: Electropolished 232/B (Neck 200x2) 316
Name	230
Type	DN200
DN	201
A	200
B	2
C	1,2
D	0,4 bar
E	

Round Inspection Cover 232/B Cover opening outwards Material: 1.4404 (316L) Pressure range: +0,4 bar Outside Neck diameter: Ø201mm Tolerance ISO2768 cL: ±1.2mm Welding Neck height: 200mm Welding Neck thickness: 2,0mm Cover thickness: 1,2mm 1x Plastic Handwheel MEC/60 EPDM gasket (FDA)G/P200 Finish Neck: Grinded/Pickled Finish Cover: Electropolished